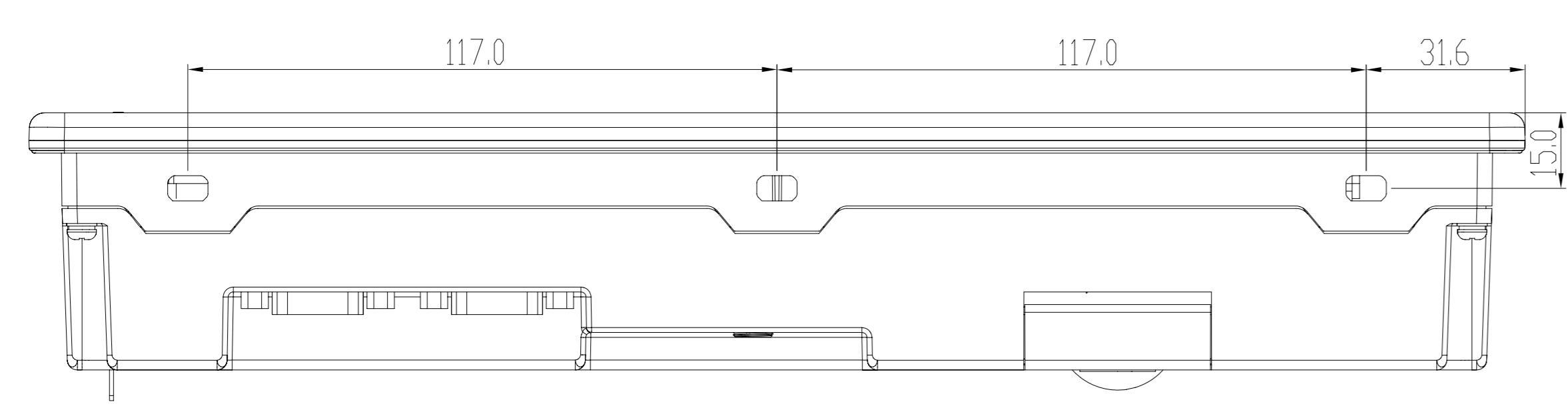
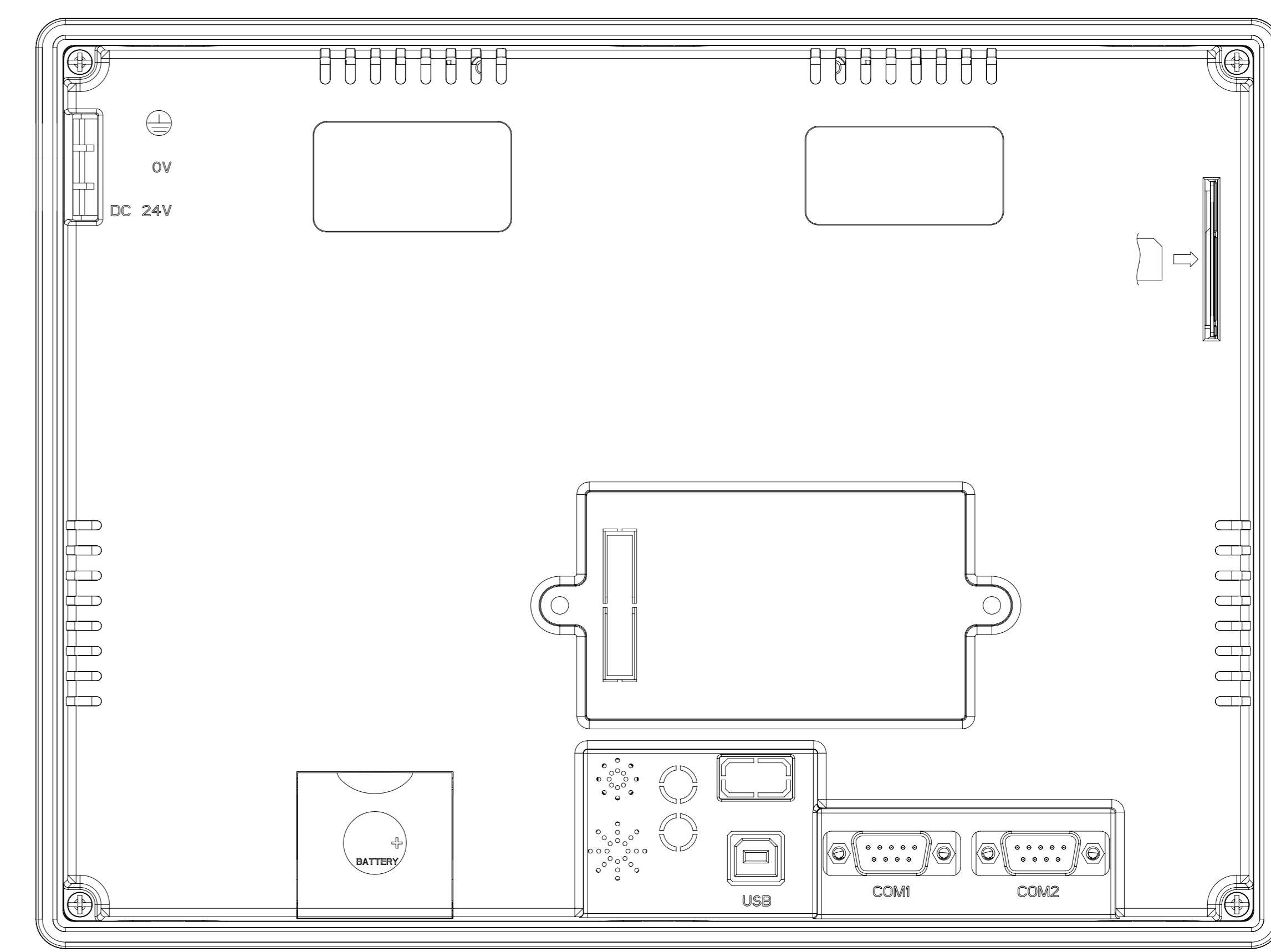
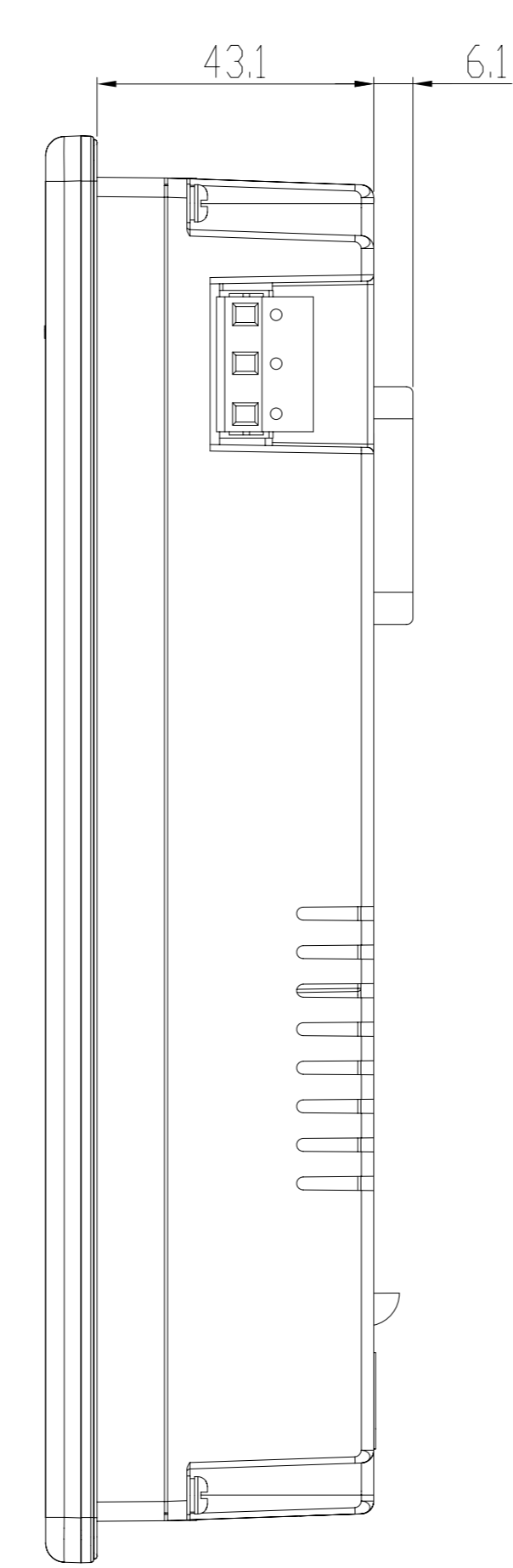
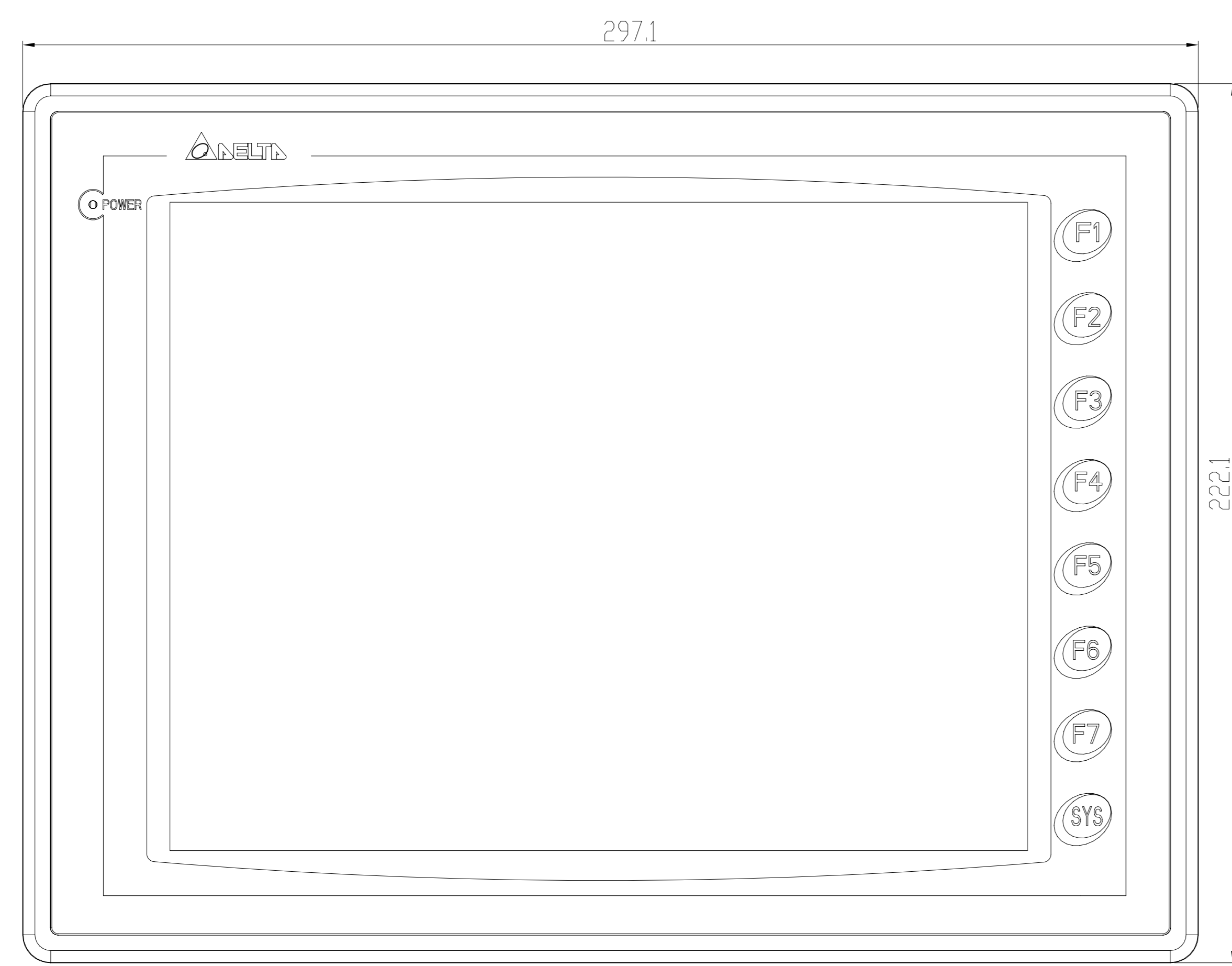
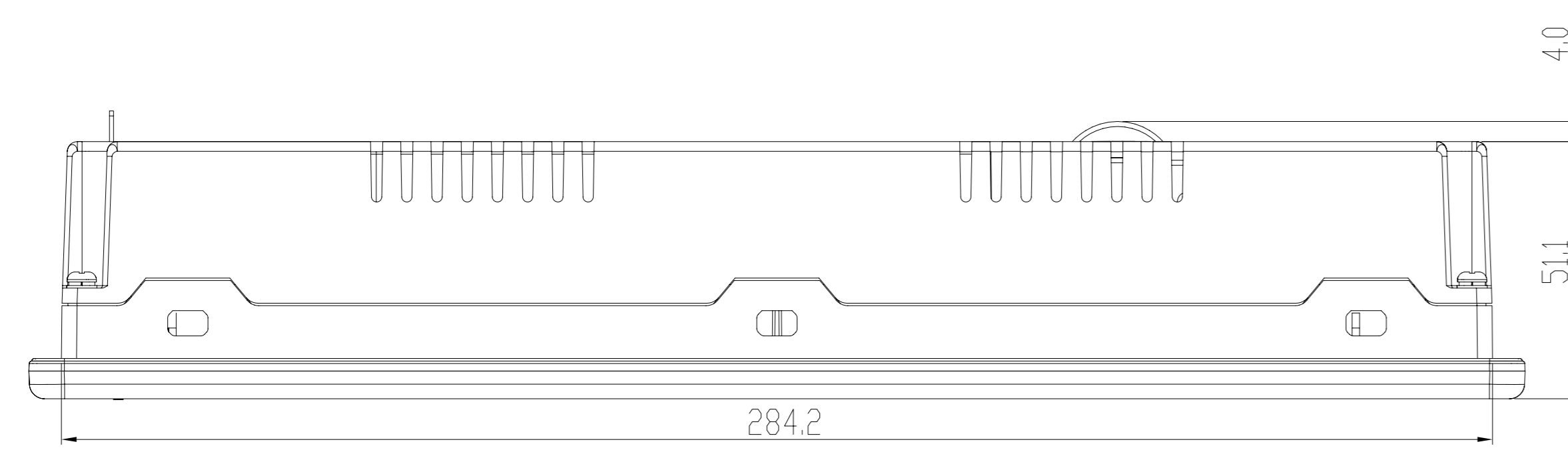


PHYSICAL DIMENSIONS

DOP-A(E)10TC/THTD
 DOP-A(E)10THTD1
 DOP-A(E)10THTD0



REV.	ECN NO.
00	-----

台達電子工業股份有限公司 DELTA ELECTRONICS, INC.		DRAWN: &drawn_by DATE: &Date DESIGN: &design_by ECN NO.: &ECN_No
THESE DRAWINGS AND SPECIFICATIONS ARE THE PROPERTY OF DELTA ELECTRONICS, INC. AND SHALL NOT BE REPRODUCED OR USED AS THE BASIS FOR THE MANUFACTURE OR SELL OF APPARATUSES OR DEVICES WITHOUT PERMISSION.		DIMENSIONAL TOLERANCES (V) () () () ANGLES DECIMALS <50 ±0.1 <50 ±0.15 <50 ±0.2 <30° ±0.1° X ±0.3 >50-100 ±0.15 >50-100 ±0.2 >50-100 ±0.25 >30°-60° ±0.3° X.X ±0.2 >100-200 ±0.2 >100-200 ±0.25 >100-200 ±0.3 >60°-90° ±0.5° X.XX ±0.1 >200 ±0.2 >200 ±0.25 >200 ±0.3
DRAWING NAME: &dwg_name USED ON: &Used_On	PART NO.: &part_no SCALE: &scale SHEET 1 OF 1	REV. &rev