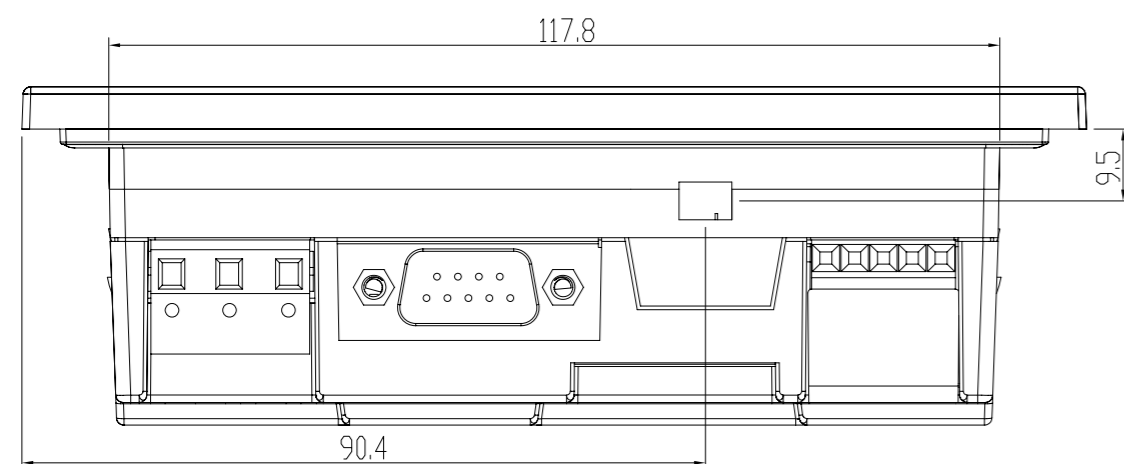
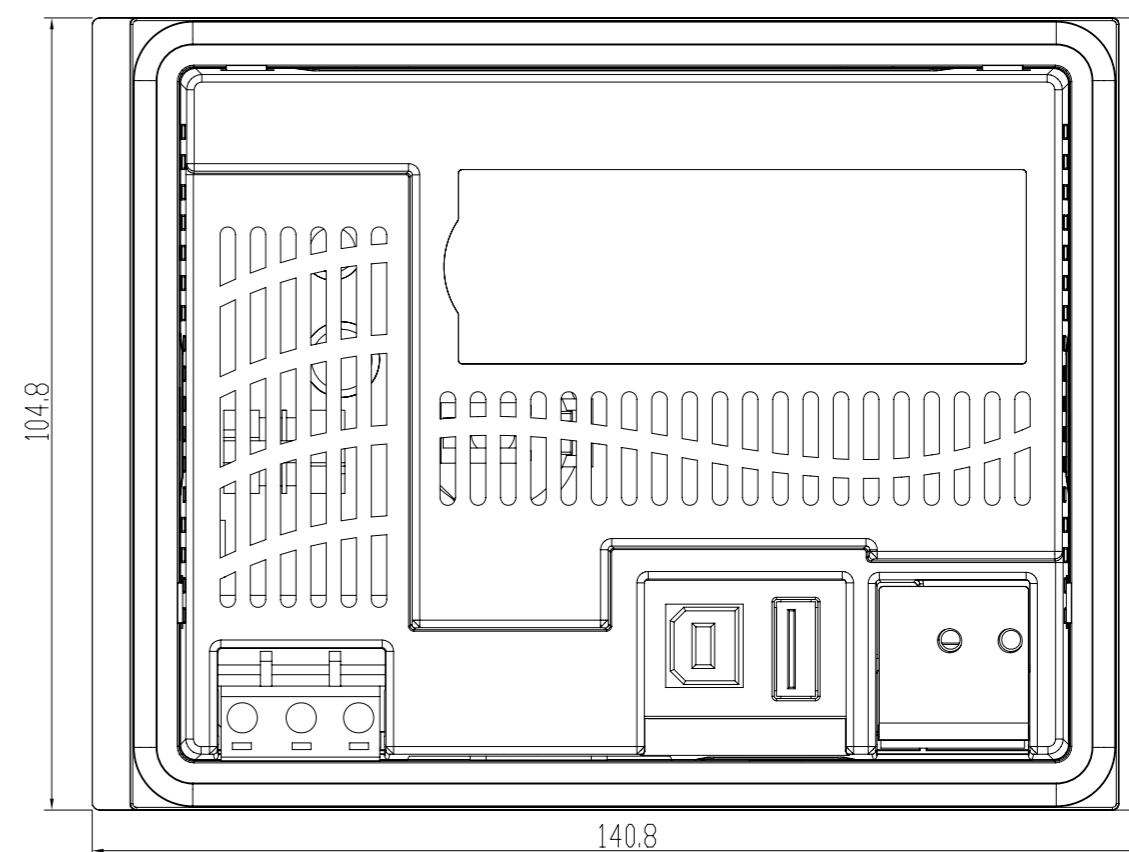
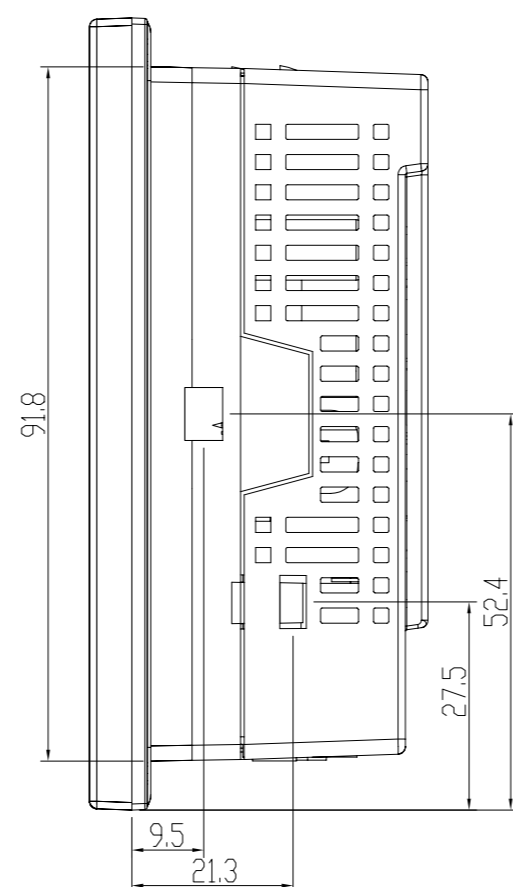
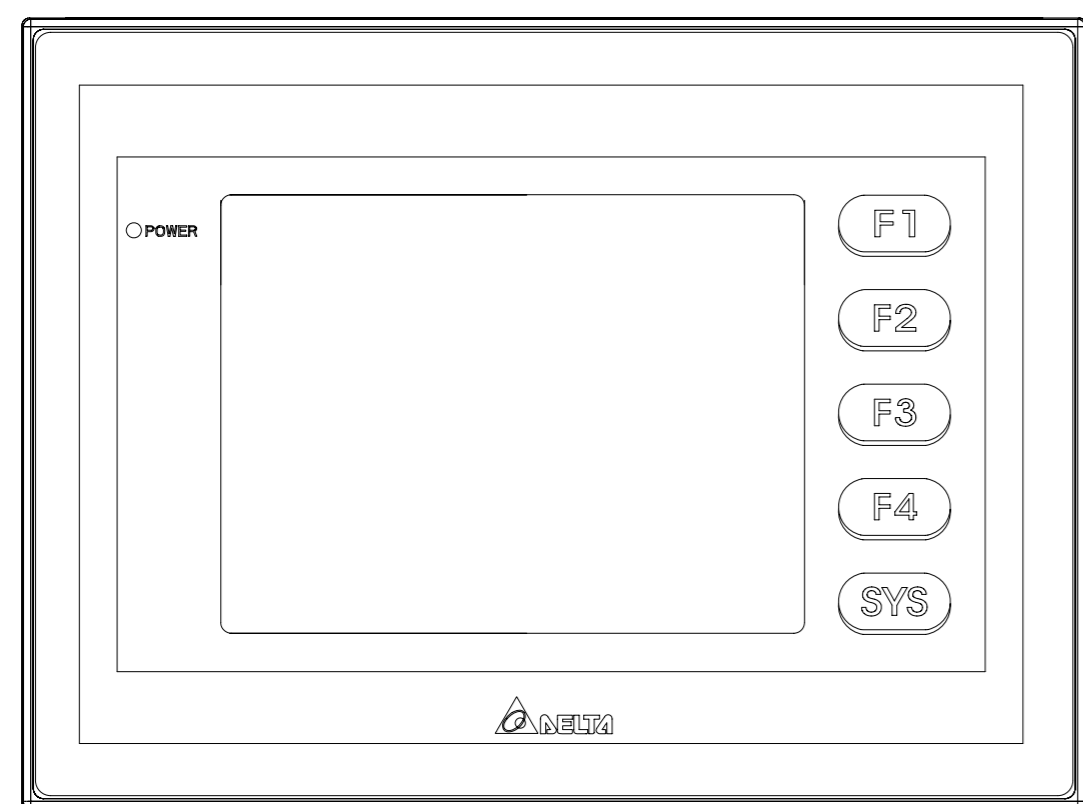
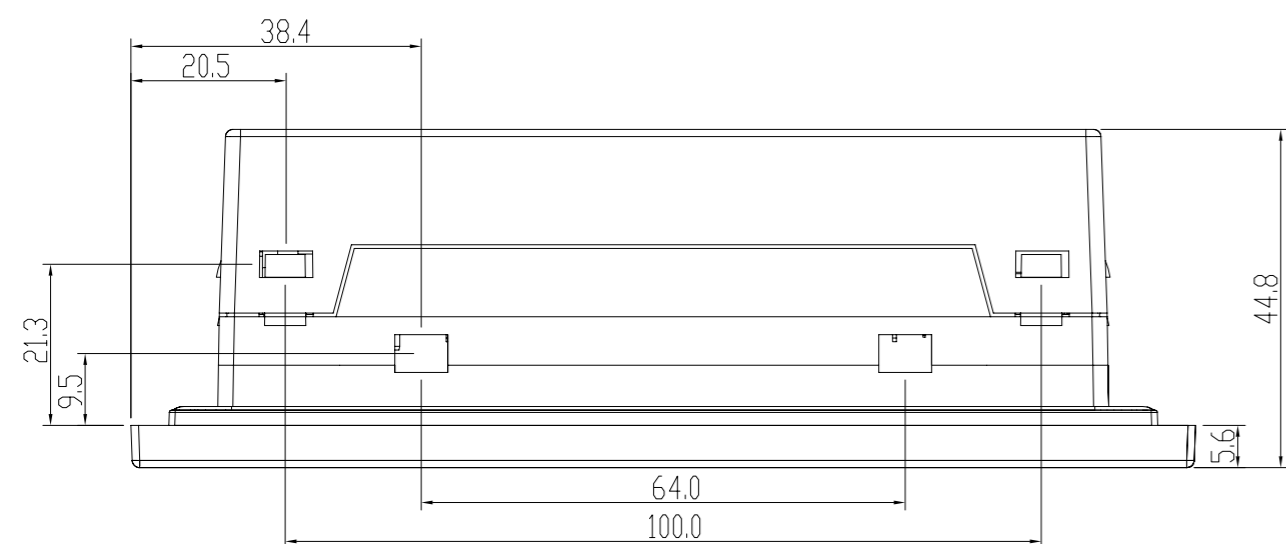


PHYSICAL DIMENSIONS

DOP-AS38BSTD(-W)



REV. ECN NO.

00 -----

台達電子工業股份有限公司 DELTA ELECTRONICS, INC.		DRAWN: &drawn_by DATE: &Date	DESIGN: &design_by ECN NO.: &ECN_No
THESE DRAWINGS AND SPECIFICATIONS ARE THE PROPERTY OF DELTA ELECTRONICS, INC. AND SHALL NOT BE REPRODUCED OR USED AS THE BASIS FOR THE MANUFACTURE OR SELL OF APPARATUSES OR DEVICES WITHOUT PERMISSION.		DIMENSIONAL TOLERANCES (V) () () () ANGLES DECIMALS <50 ±0.1 <50 ±0.15 <50 ±0.2 <30° ±0.1° X ±0.3 >50-100 ±0.15 >50-100 ±0.2 >50-100 ±0.25 >30°-60° ±0.3° X.X ±0.2 >100-200 ±0.2 >100-200 ±0.25 >100-200 ±0.3 >60°-90° ±0.5° X.XX ±0.1 >200- ±0.2% >200- ±0.25% >200- ±0.3%	
DRAWING NAME: &dwg_name		A2 SIZE THIRD ANGLE PROJECTION	PART NO.: &part_no
USED ON &Used_On	UNIT mm	SCALE &scale	REV. &rev SHEET 1 OF 1